

SCHEDULE "G"



Town of Cardston

Licenced Occupant: Municipal Attachment Forms

Electrical Distribution System Operational Documents

Version 1.023



Contents

MUNICIPAL ATTACHMENT REQUEST FORM	2
BANNERS	3
CHRISTMAS LIGHT FIXTURES	4
PLANTERS	5
SECURITY CAMERAS	6
SPEED AND TRAFFIC SIGNS	7
STREETLIGHT POLE TECHNICAL AND INSPECTION FORM	8

MUNICIPAL ATTACHMENT REQUEST FORM

Applicant / Customer Information

Name of Customer	
------------------	--

Customer's Representative	
---------------------------	--

Mailing Address

--	--	--

House No.

Street

City

--	--	--

Province

Postal Code

Telephone/Cell Number		E-mail	
-----------------------	--	--------	--

Please complete and provide a 3rd Party Authorization Form if you are making an application in behalf of a Customer.

3rd Party Authorization Form	
----------------------------------------------	--

--	--

--	--

Electric Service Request

Do you require an electric service?	<input type="radio"/> YES <input type="radio"/> NO
-------------------------------------	----------------------------------------------------

If yes, Electric service date required by?	
--------------------------------------------	--

Type of Pole	<input type="radio"/> WOOD POLE <input type="radio"/> STREETLIGHT POLE
--------------	------------------------------------------------------------------------

Type of Attachment	<input type="checkbox"/> BANNERS <input type="checkbox"/> CHRISTMAS LIGHT FIXTURES <input type="checkbox"/> SPEED AND TRAFFIC SIGNS <input type="checkbox"/> SECURITY CAMERAS <input type="checkbox"/> PLANTERS <input type="checkbox"/> OTHERS (please specify)
--------------------	---------------------------------------------------------------------------------------------------------------------------------------------------------------------------------------------------------------------------------------------------------------------

Please provide specific details of your proposed attachment by completing the following forms.

Quantity of Poles to attach	
-----------------------------	--

Please provide a map showing the locations and the GFID/Light ID of the proposed licensed occupant poles.

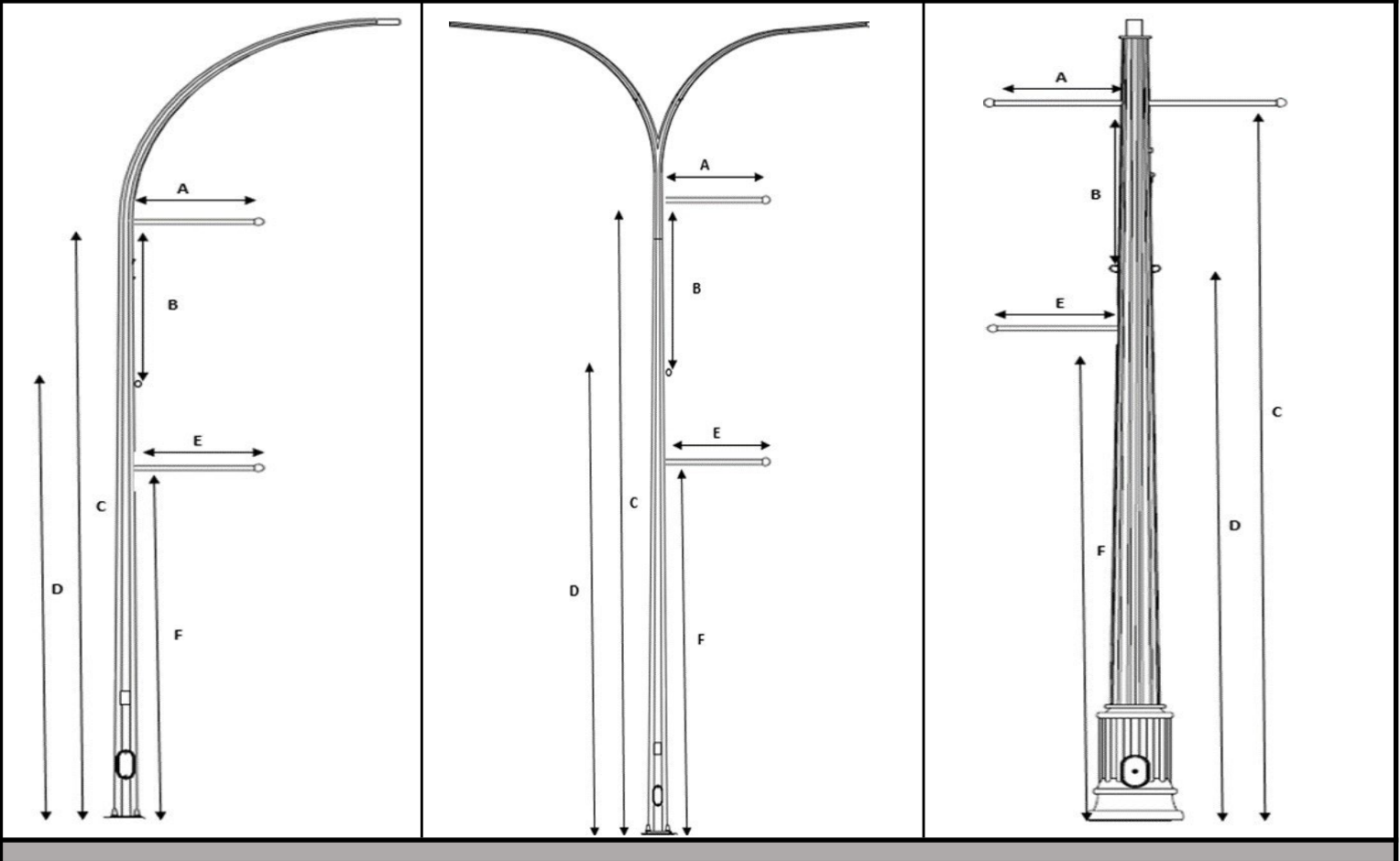
NOTES/COMMENTS:

BANNERS

Banner and Attachment Details

a) Number of Banners on each pole?	
b) Attachment type (Fixed, Swivel, Spring Loaded)?	
c) Banner Width (m) (A)	
d) Banner Length (m) (B)	
e) Height of Upper Banner arm (m) (C)	
f) Height of Lower Banner Arm/Eye Bolt (m) (D)	
g) Supporting arm length, if applicable (m) (E)	
h) Height of Attachment, if applicable (m) (F)	
i) Banner Material (fabric, plastic, vinyl, metal, others)	
j) Weight (lbs)	
k) Will there be wind holes in the Banner?	
l) Side of attachment on streetlight pole?	
m) Is this a <u>Permanent</u> or <u>Temporary</u> attachment?	
n) Length of time Banners will be installed by (Months)?	

<input type="checkbox"/> Single Davit Pole	<input type="checkbox"/> Double Davit Pole	<input type="checkbox"/> Decorative Pole
--------------------------------------------	--------------------------------------------	------------------------------------------



CHRISTMAS LIGHT FIXTURES

Christmas Light Fixtures and Attachment Details

a) Quantity of Christmas Light Fixture on each pole?	
b) Attachment type (Fixed, Swivel, Spring Loaded)?	
c) Dimensions (Width x Height) (m)	
d) Weight (kg)	
e) Height of Upper Attachment (m) (C)	
f) Height of Lower Attachment/eye bolt (m) (D)	
g) Supporting arm length, if applicable (m) (E)	
h) Height of supporting arm Attachment (m) (F)	
i) Total electrical load (kW) per fixture	
j) Voltage (V)	
k) Number of phase and wire (i.e., single phase, 3 wire)	
l) Side of attachment on streetlight pole?	
m) Is this a <u>Permanent</u> or <u>Temporary</u> attachment?	
n) Length of time fixtures will be installed by (Months)?	

<input type="checkbox"/> Single Davit Pole	<input type="checkbox"/> Double Davit Pole	<input type="checkbox"/> Decorative Pole

PLANTERS

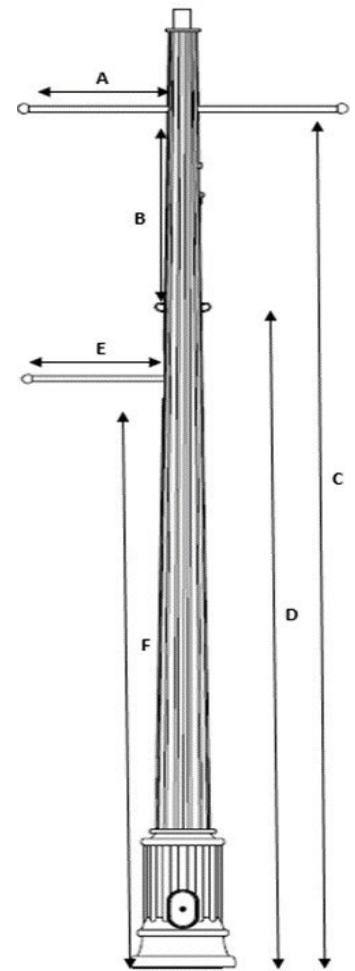
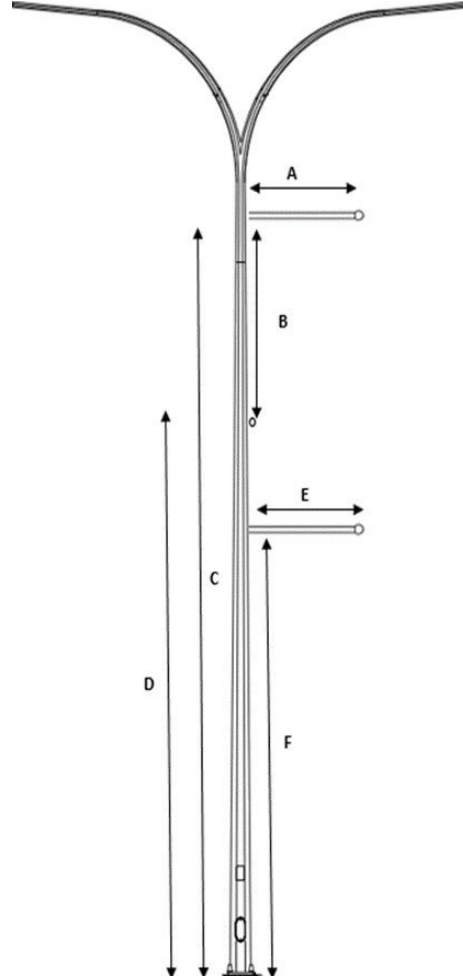
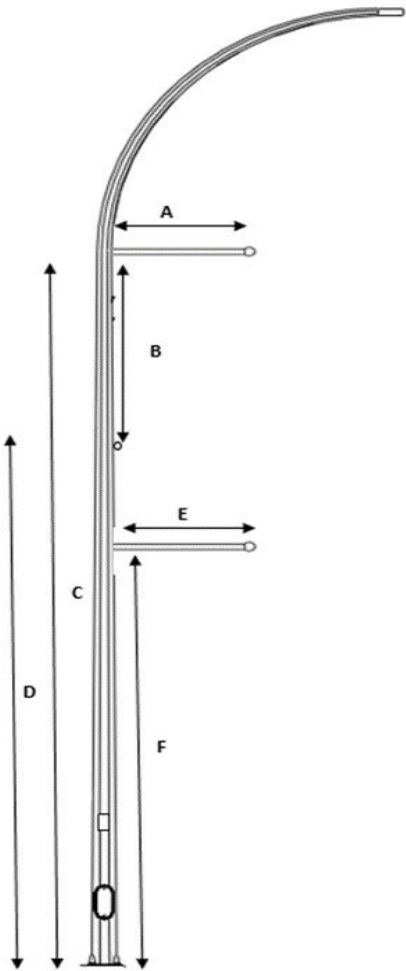
Planters and Attachment Details

a) Quantity of Planters on each pole?	
b) Attachment type (Fixed, Swivel, Spring Loaded)?	
c) Dimensions (Width x Height) (m)	
d) Weight (kg)	
e) Height of Upper Attachment (m) (C)	
f) Height of Lower Attachment/eye bolt (m) (D)	
g) Supporting arm length, if applicable (m) (E)	
h) Height of supporting arm Attachment (m) (F)	
i) Side of attachment on streetlight pole?	
j) Is this a <u>Permanent</u> or <u>Temporary</u> attachment?	
k) Length of time Planters will be installed by (Months)?	

Single Davit Pole

Double Davit Pole

Decorative Pole



SECURITY CAMERAS

Christmas Light Fixtures and Attachment Details

a) Total number of devices on each pole	
b) Dimensions (mm) (Height, Width, Depth) of each device	
c) Weight (kg) of each device	
d) Height of attachment of each device	
e) Attachment type (i.e., strapped on pole)	
f) Electrical load (kW) per device	
g) Voltage (V)	
h) Number of phase and wire (i.e., single phase, 3 wire)	
i) Side of attachment on streetlight pole?	
j) Is this a <u>Permanent</u> or <u>Temporary</u> attachment?	
k) Length of time Cameras will be installed by (Months)?	

SPEED AND TRAFFIC SIGNS

Speed and Traffic Signs and Attachment Details

a) Quantity of Christmas Light Fixture on each pole?	
b) Attachment type (Fixed, Swivel, Spring Loaded)?	
c) Dimensions (Width x Height) (m)	
d) Weight (kg)	
e) Height of Upper Attachment (m) (C)	
f) Height of Lower Attachment/eye bolt (m) (D)	
g) Supporting arm length, if applicable (m) (E)	
h) Height of supporting arm Attachment (m) (F)	
i) Total electrical load (kW) per fixture	
j) Voltage (V)	
k) Number of phase and wire (i.e., single phase, 3 wire)	
l) Side of attachment on streetlight pole?	
m) Is this a <u>Permanent</u> or <u>Temporary</u> attachment?	
n) Length of time Banner will be installed by (Months)?	

STREETLIGHT POLE TECHNICAL AND INSPECTION FORM

(To be completed by the Town of Cardston)

Streetlight Pole Technical data

a) New or Existing structure?	
b) Framing Number (Item No. of Streetlight pole)	
c) Number of Davits	
d) Wind Loading	
e) Pole Manufacturer	
f) Pole Height	
g) Davit Length	
h) Luminaire Wattage (W)	

Streetlight Pole Inspection Check List

a) Confirm locations of proposed licensed occupant poles.	
b) Check for and note significant structure damages such as dents and bumps on the pole.	
c) Check for rusts outside including signs of re-paint. Check for rusts inside the hand hole (Coordinate with PLT).	
d) Take a picture of each structure (whole pole) and significant details for reference.	
e) Check for breakaway poles.	
f) Check for direct buried poles.	
g) Check for and identify details of existing licensed occupant attachments (i.e., banners, signs, etc.)	
h) Does it have an existing or a provision for a receptacle?	

NOTES:
